

## Disinfectant Filtration System

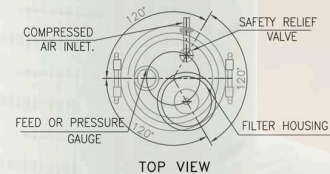
### All SS 316

With

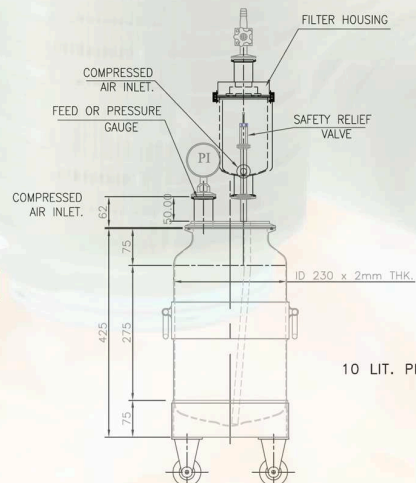


LifeASSURE™

PDA Series 0.20µm Filter



TOP VIEW



10 LIT. PRESSURE VESSEL

**Certified**

8	PRESSURE RELIEF VALVE	SS316
7	1Rx05 H (Code-7) HSG ASSY.	SS 316
6	DN 08 DIAPHRAGM VALVE (CRANE MAKE)	SS316 (WETTED)
5	2 1/2" DIAL 0-10 bar(g) DIAPHRAGM Pr. GAUGE	SS 316
4	20 Ltrs PRESSURE VESSEL ASSY	SS 316
3	SS TROLLEY WITH TRAY ASSY	SS 316
2	1/4" BSP BALL VALVE	SS 316
1	2" SS WHEELS	SS 304

